

## Titanium Slotted Pan Head Tapping Screws

Baoji Xinlian Titanium Industry Co.,Ltd is one of the leading China titanium slotted pan head tapping screws manufacturers and suppliers, and also a professional company equipped with factory, welcome to wholesale titanium slotted pan head tapping screws products from us.

## Titanium Slotted Pan Head Tapping Screws

Material: Pure titanium

Grade: Gr1,Gr2

Standard: DIN7971, ISO1481

Specification: ST2.2-ST6.3\*L or as your requirement

Head Type: Pan Head

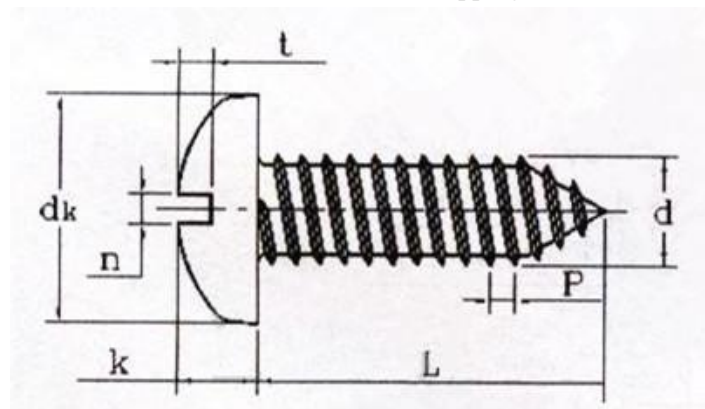
Groove Type: Slot

Surface Treatment: Polishing,Anodizing, Nitriding

Color: Ti nature,Gold,Blue,Green,Purple,Black,Rainbow

DIN7971

Titanium Slotted Pan Head Tapping Screws



Unit: mm

d	ST2.2	ST2.9	ST3.5	ST3.9	ST4.2	ST4.8	ST5.5	ST6.3	
P	0.8	1.1	1.3	1.3	1.4	1.6	1.8	1.8	
dk	max	4.2	5.6	6.9	7.5	8.2	9.5	10.8	12.5
	min	3.9	5.3	6.54	7.14	7.84	9.14	10.37	12.07
k	max	1.35	1.75	2.1	2.25	2.45	2.8	3.2	3.65
	min	1.15	1.5	1.85	2	2.15	2.5	2.85	3.3
n	max	0.8	1	1.2	1.2	1.51	1.51	1.91	1.91
	min	0.66	0.86	1.06	1.06	1.26	1.26	1.66	1.66
t	max	0.8	1	1.25	1.4	1.5	1.7	1.95	2.2
	min	0.55	0.75	0.95	1.05	1.15	1.35	1.55	1.8